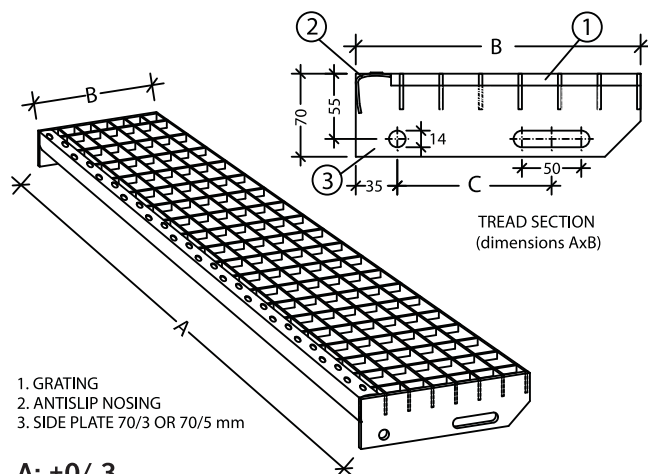


Treads & Complete Stairs

DESCRIPTION:

Bolted treads made of gratings (all types of ASCO gratings), with special side plates 70/3 (or 70/5 mm) and anti-slip nosing. The treads are bolted on the steel carriers of the stair with galvanized bolts M12 x 30

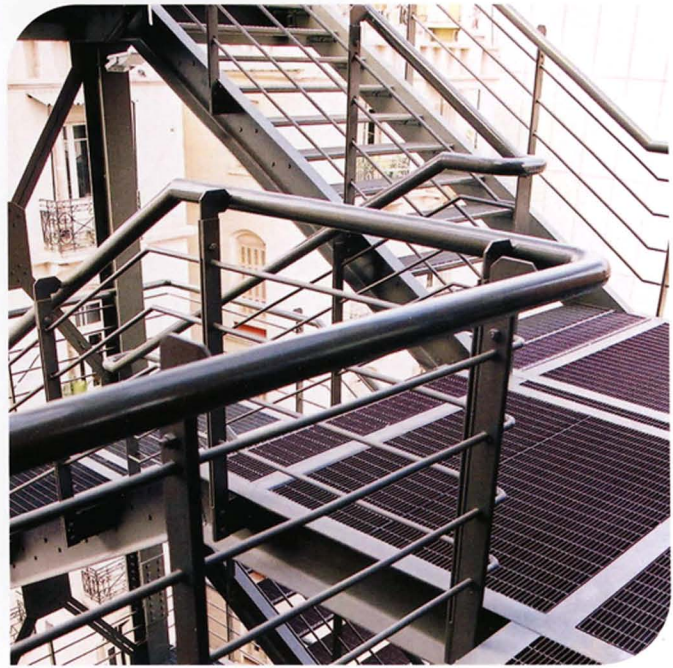
- Steel S235JR according to EN 10025
- Hot-dip galvanized acc. to ISO 1461 for protection against corrosion
- DIN 24531



STANDARD DIMENSIONS OF TREADS WITH FORGE WELDED GRATING AND AXIAL MESH 34 x 38

Dimensions mm	(C) mm	Bearing bars	Weight kg/pc
600 x 200	110	25 x 2	3.0
760 x 200	110	25 x 2	3.7
760 x 240	130	25 x 3	5.1
760 x 240	130	30 x 3	5.8
870 x 240	130	25 x 3	5.8
870 x 240	130	30 x 3	6.4
870 x 270	130	30 x 3	7.1
1000 x 240	130	30 x 3	7.2
1000 x 270	130	30 x 3	8.1
1000 x 305	150	30 x 3	9.1
1200 x 240	130	30 x 3	8.5
1200 x 240	130	40 x 3	10.3
1200 x 270	130	40 x 3	11.6
1200 x 305	150	40 x 3	13.0

[Landings - Treads & Complete Stairs]



Ladders with or without safety cage, acc. to DIN 24532.

Manufactures landings and treads with gratings, as well as complete stairs, including tread-carriers, and railings. For buildings, industries, building fire escapes.